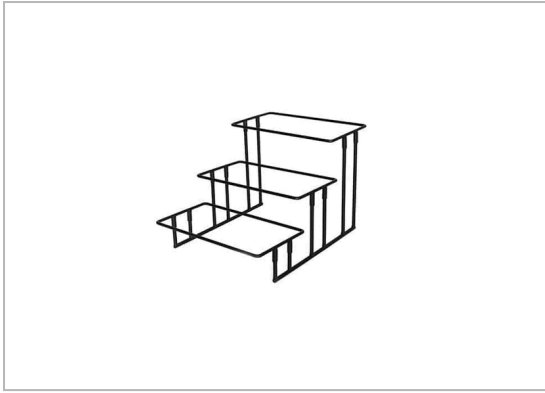


**- STAND, RECTANGULAR, THREE-TIER 20" L X 13-3/4" W X 12" H**

An ingenious design on these stands makes them collapsible when not in use.



**MARKETING**



**HANDLING SUGGESTIONS**



Store in Dry Area

**PRODUCT SPECIFICATIONS**



**MORE INFORMATION**



Code	Dist Prod Code	GTIN	Calculated Pack
IS18	599054	20704339926584	2/CNT

Brand	Brand Owner	GPC Description	Marketing Lot No	Functional Name
AMERICAN METALCRAFT	American Metalcraft	Food Stands/Displays	Yes	BUFFET & TABLETOP

Gross Weight	Net Weight	Country Of Origin	Target Market
15.32 LBR	15.32 LBR	China	United States

Shipping						
Length	Width	Height	Volume	TlxHl	Shelf Life	Storage Temp From/To
16 INH	12.3 INH	8.6 INH	0.979 FTQ	9x8	999 Days	35 FAH / 100 FAH

**MORE IMAGES**

